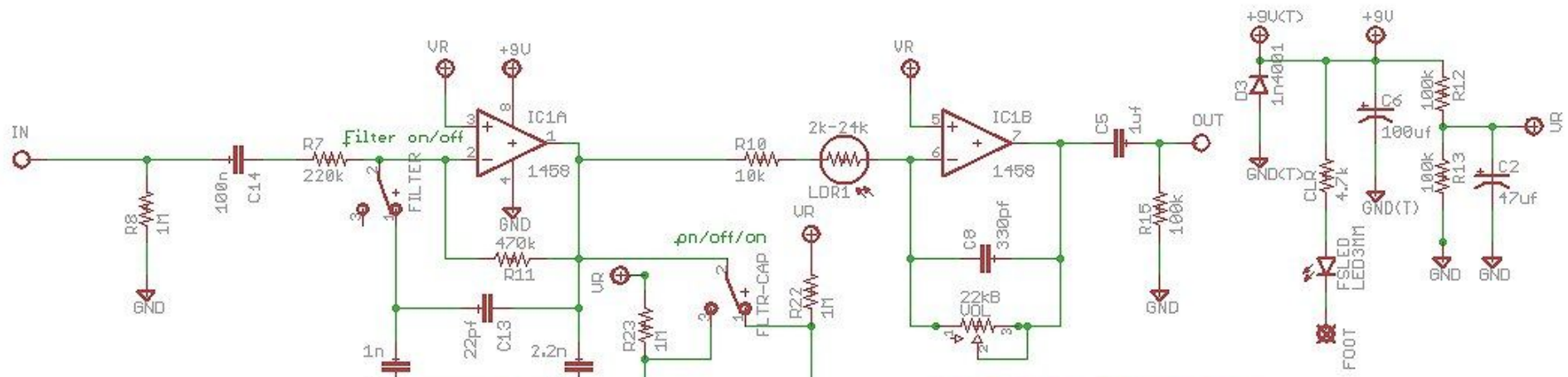




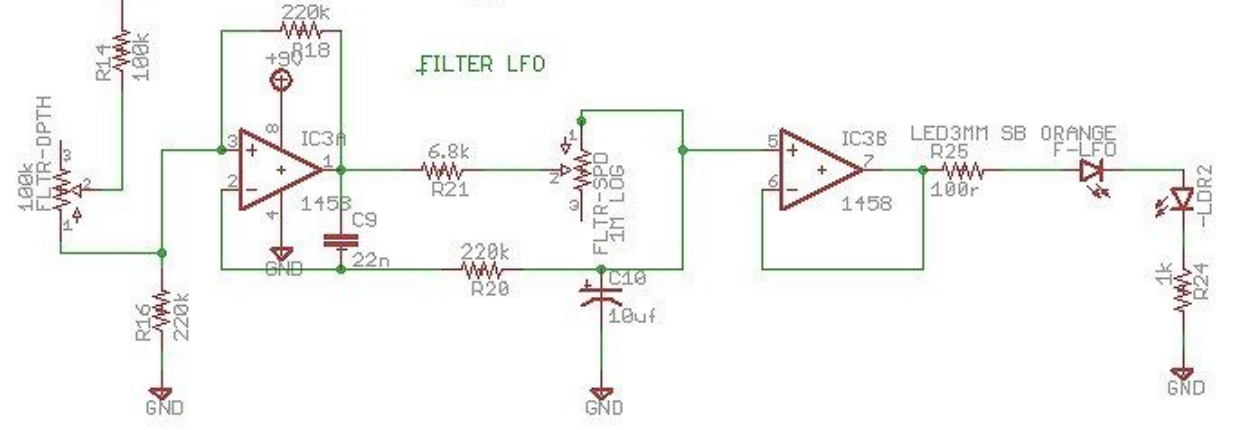
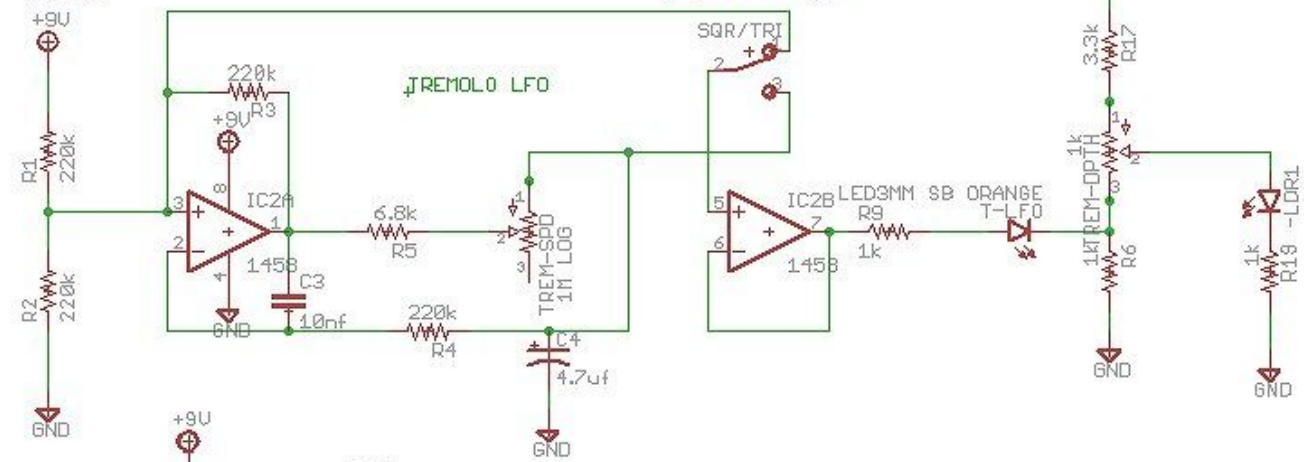
## TREM3HIFTER BOM.

Part	Value	Device	Package
-LDR1	LED5MM	LED5MM	LED5MM
-LDR2	LED5MM	LED5MM	LED5MM
C1	1n		
C2	47uf		
C3	10nf		
C4	4.7uf		
C5	1uf		
C6	100uf		
C7	2.2n		
C8	330pf		
C9	22n		
C10	10uf		
C11	4n7		
C12	10n		
C13	22pf		
C14	100n		
CLR	4.7k		
D3	1n4001		
F-LF0	LED3MM SB ORANGE	LED3MM	LED3MM
FILTER	on/off	SPDT	TOGGLE SWITCH
FLTR-CAP	SPDT ON/OFF/ON	SPDT	TOGGLE SWITCH
FSLED	LED3MM	LED3MM	LED3MM
IC 1-3 TL072 OR 1458.			
LDR1	2k-24k	LDR5MM SB BLUE	
LDR2	2k-24k	LDR5MM SB GREEN	
R1	220k		
R2	220k		
R3	220k		
R4	220k		
R5	6.8k		
R6	1k		
R7	220k		
R8	1M		
R9	1k		
R10	10k		
R11	470k		
R12	100k		
R13	100k		
R14	100k		
R15	100k		
R16	220k		
R17	3.3k		
R18	220k		
R19	1k		
R20	220k		
R21	6.8k		
R22	1M		
R23	1M		
R24	1k		
R25	100r		
SQR/TRI	on/off	SPDT	TOGGLE SWITCH
T-LF0	LED3MM SB ORANGE	LED3MM	LED3MM
TREM-DPTH	1k		
TREM-SPD	1M LOG		
VOL	22kB		
FLTR-DPTH	100k		
FLTR-SPD	1M LOG		

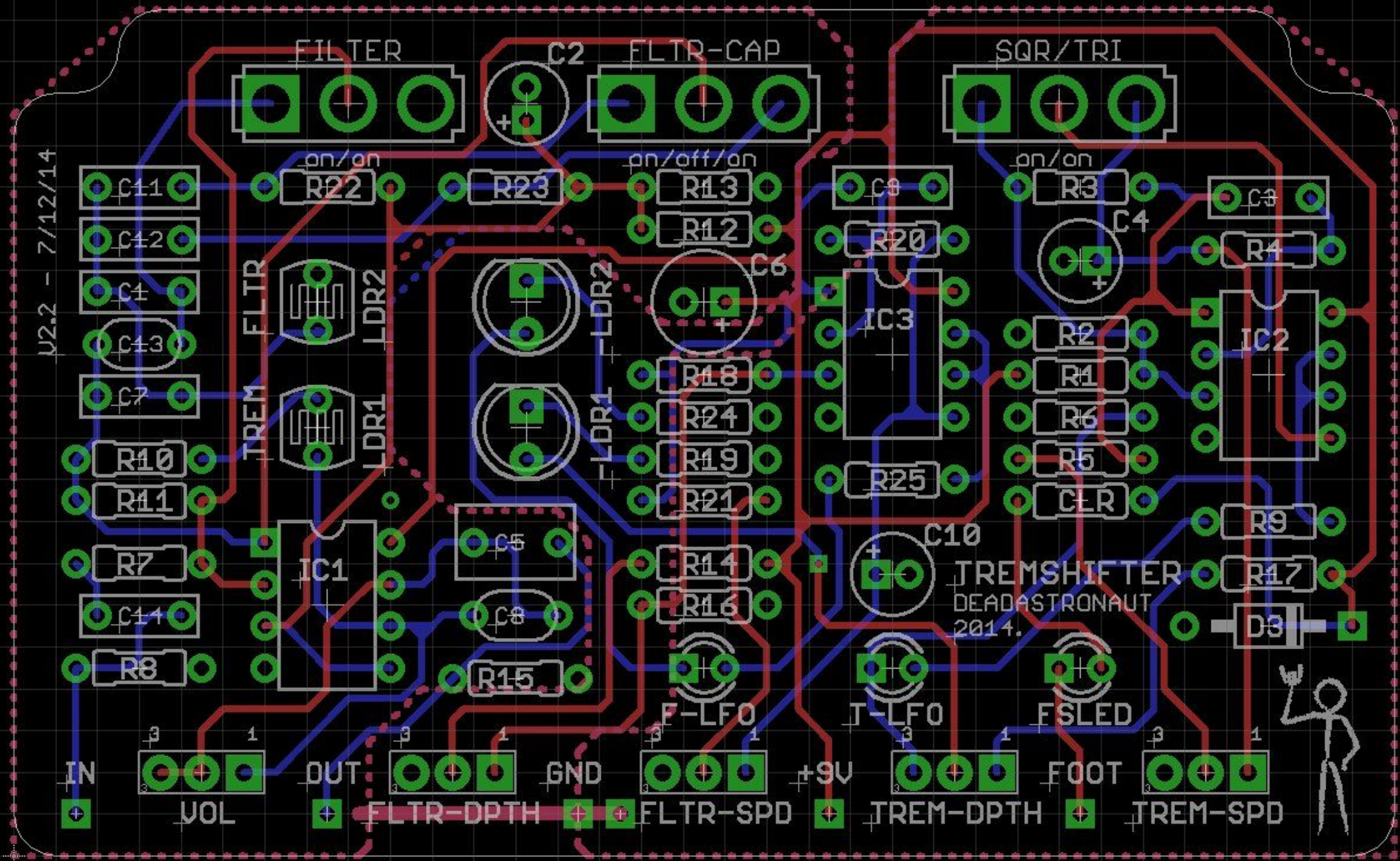


# TREMSHIFTER

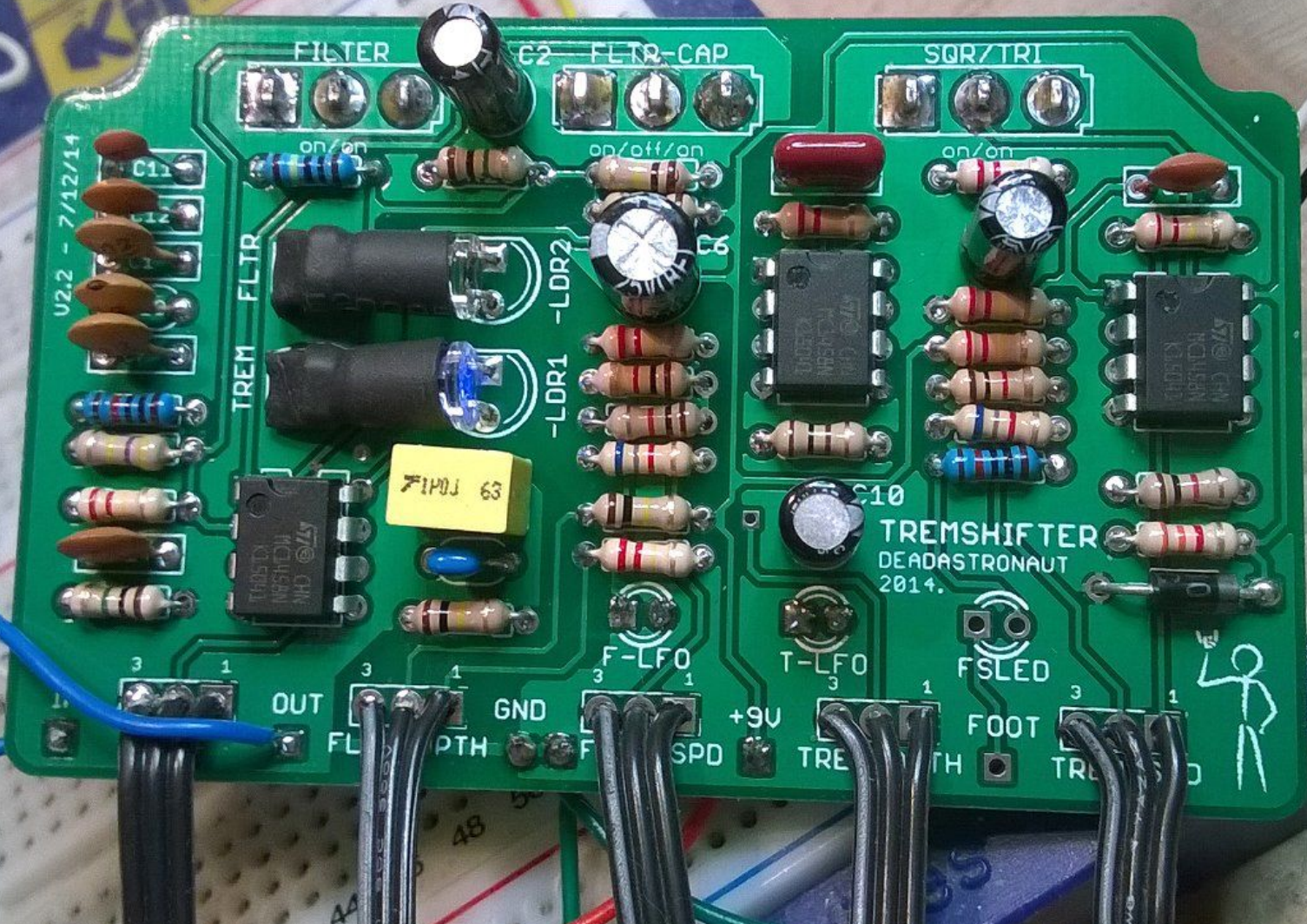
DEADASTRONAUT 2014.  
NOT FOR COMMERCIAL USE  
square/triangle



V2.2 - 7/12/14



Bread Board  
model  
KAM  
RH-32



U2.2 - 7/12/14

FILTER

C2 FLTR-CAP

SQR/TRI

TREM FLTR

-LDR2

C6

71P0J 63

C10

TREMSHIFTER  
DEADASTRONAUT  
2014.

F-LFO

T-LFO

FSLED

OUT

GND

+9V

FOOT

TREM

PTH

TRE

