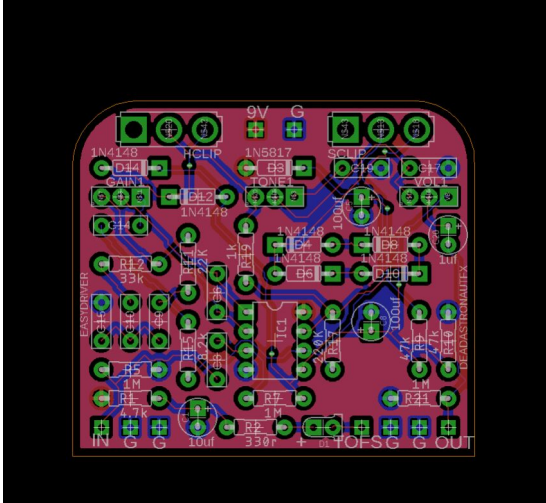
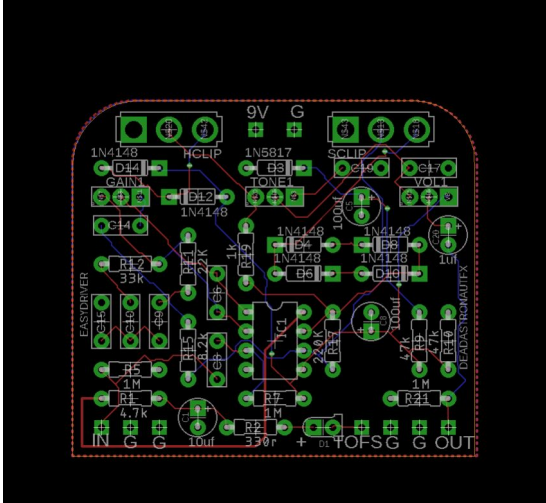


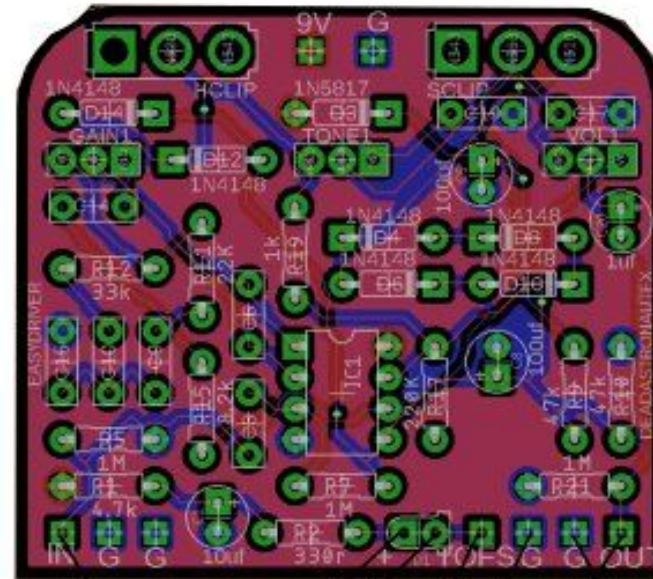
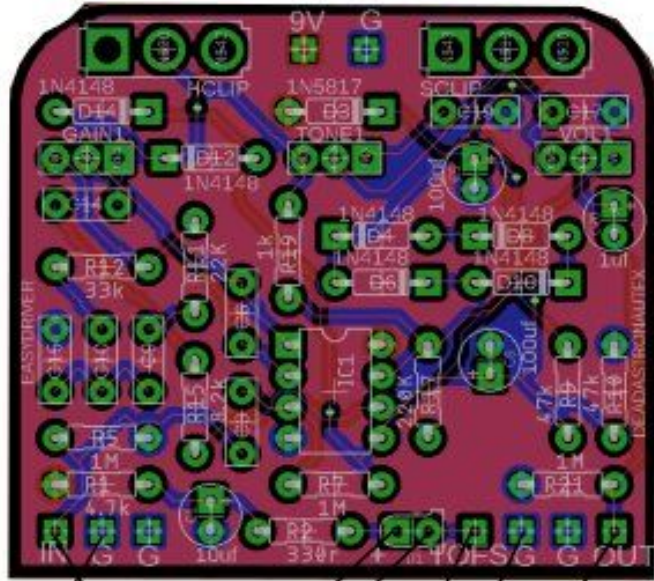
EASY DRIVER, DUAL OVERDRIVE

DEADASTRONAUTFX





EASY DRIVER DUAL WIRING.



JACK GROUND

JACK IN

JACK GROUND

JACK OUT

Part	Value	Device	Package	Description
R1	4.7k			
R2	330r			
R5	1M			
R7	1M			
R9	47k			
R10	47k			
R11	22K			
R12	33k			
R15	8.2k			
R17	220K			
R19	1k			
R21	1M			
C1	10uf	ELECTRO		
C3	10n	CER/FILMBOX.1	BOX_SMALL	47 - 120pF
C5	100uf	ELECTRO		
C6	100p	CER/FILMBOX.1	BOX_SMALL	47 - 120pF
C8	100uf	ELECTRO		
C9	10n	CER/FILMBOX.1	BOX_SMALL	47 - 120pF
C10	10n	CER/FILMBOX.1	BOX_SMALL	47 - 120pF
C14	220n	CER/FILMBOX.1	BOX_SMALL	47 - 120pF
C15	10n	CER/FILMBOX.1	BOX_SMALL	47 - 120pF
C17	10n	CER/FILMBOX.1	BOX_SMALL	47 - 120pF
C19	4.7n	CER/FILMBOX.1	BOX_SMALL	47 - 120pF
C20	1uf	ELECTRO		
D1	LED			
D3	1N5817			
D4	1N4148			
D6	1N4148			
D8	1N4148			
D10	1N4148			
D12	1N4148			
D14	1N4148			
IC1	TL072	(other opamps will work, 4559/480D etc...)		
SCLIP	ON/ON SPDT	TOGGLE SWITCH		
HCLIP	ON/ON SPDT	TOGGLE SWITCH		
TONE1	22KB-25kb			
VOL1	100kA			
GAIN1	250kb			

EASY DRIVER

DEADASTRONAUTFX

Robert Henry.

30/1/22

NOT FOR COMMERCIAL USE.

