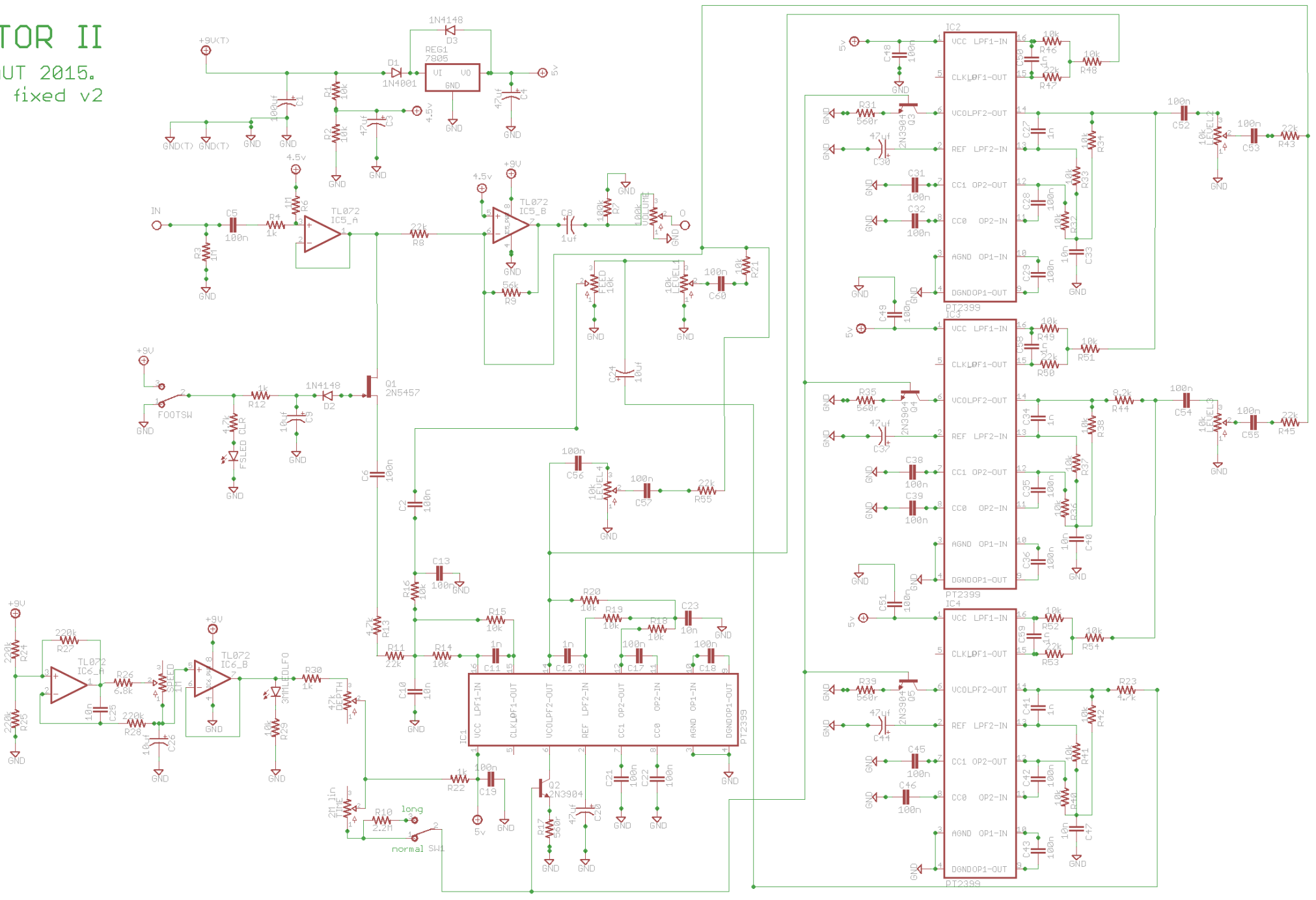


# ABDUCTOR II

DEADASTRONAUT 2015.  
revised and fixed v2



Part	Value	Device	Package	Description
3MMLEDLFO	LED3MM	LED3MM	LED3MM	
C1	100uf			
C2	100n			
C3	47uf			
C4	47uf			
C5	100n			
C6	100n			
C8	1uf			
C9	10uf			
C10	10n			
C11	1n			
C12	1n			
C13	100n			
C17	100n			
C18	100n			
C19	100n			
C20	47uf			
C21	100n			
C22	100n			
C23	10n			
C24	10uf			
C25	10n			
C26	10uf			
C27	1n			
C28	100n			
C29	100n			
C30	47uf			
C31	100n			
C32	100n			
C33	10n			
C34	1n			
C35	100n			
C36	100n			
C37	47uf			
C38	100n			
C39	100n			
C40	10n			
C41	1n			
C42	100n			
C43	100n			
C44	47uf			
C45	100n			
C46	100n			
C47	10n			

C48	100n			
C49	100n			
C50	1n			
C51	100n			
C52	100n			
C53	100n			
C54	100n			
C55	100n			
C56	100n			
C57	100n			
C58	1n			
C59	1n			
C60	100n			
CLR	4.7k			
D1	1N4001			
D2	1N4148			
D3	1N4148			
DEPTH	47k	POT		
FEED	10k	POT		
FOOTSW	DPDT			
FSLED	LED3MM			

IC1	PT2399	DIL16	Echo Processor IC
IC2	PT2399	DIL16	Echo Processor IC
IC3	PT2399	DIL16	Echo Processor IC
IC4	PT2399	DIL16	Echo Processor IC
IC5	TL072	DIL08	OP AMP
IC6	TL072	DIL08	OP AMP

LEVEL1	10k	POT		
LEVEL2	10k	POT		
LEVEL3	10k	POT		
LEVEL4	10k	POT		

Q1	2N5457	2N5457	TO92-	N-CHANNEL JFET
Q2	2N3904	2N3904	TO92-	NPN Transistor
Q3	2N3904	2N3904	TO92-	NPN Transistor
Q4	2N3904	2N3904	TO92-	NPN Transistor
Q5	2N3904	2N3904	TO92-	NPN Transistor
R1	10k			
R2	10k			
R3	1M			
R4	1k			
R6	1M			
R7	100k			
R8	22k			
R9	56k			
R10	2.2M			

R11	22k			
R12	1k			
R13	4.7k			
R14	10k			
R15	10k			
R16	10k			
R17	560r			
R18	10k			
R19	10k			
R20	10k			
R21	10k			
R22	1k			
R23	4.7k			
R24	220k			
R25	220k			
R26	6.8k			
R27	220k			
R28	220k			
R29	10k			
R30	1k			
R31	560r			
R32	10k			
R33	10k			
R34	10k			
R35	560r			
R36	10k			
R37	10k			
R38	10k			
R39	560r			
R40	10k			
R41	10k			
R42	10k			
R43	22k			
R44	9.2k			
R45	22k			
R46	10k			
R47	22k			
R48	10k			
R49	10k			
R50	22k			
R51	10k			
R52	10k			
R53	22k			
R54	10k			
R55	22k			

5V VOLTAGE REGULATOR	78L05	TO92.		
SPEED	1M LOG	POT		
SW1	SPDT	TOGGLE SWITCH		
TIME	2M B	POT		
VOLUME	100k LOG	POT		